

# Socket

## Model AUD100C100 \_ / AUD110C100 \_ for Flame Detector Tube Unit

### Model AUD15C1000

#### Overview

Model AUD100C100 \_ / AUD110C100 \_ is a dedicated socket for flame detector tube unit model AUD15C1000 for batch operation, and is designed for monitoring combustion by detecting ultraviolet rays from oil or gas burner flames.

Two models, the AUD100C100 lead-wire model and the AUD110C100 terminal block model, are available to meet wiring and installation requirements.

#### Features

- Excellent environmental specifications.
  - Ambient temperature 120 °C
  - IP65 Protection
- Wiring distance 200 m max.



#### Specifications

Item	Description	
Applicable type of fuel *1	City gas, natural gas, propane gas, kerosene, heavy oil, coke oven gas, hydrogen, chlorine, ammonia, naphtha, ethylene, etc.	
Mass	AUD100C	AUD110C
	Approx. 120 g (with the AUD15: approx. 140 g)	Approx. 120 g (with the AUD15: approx. 140 g)
Materials	Aluminum	Socket: Aluminum Terminal block: Heat-resistant resin (PBT + GF30)(black)
Insulation resistance	50 MΩ min by 500 V DC megger (between each lead wire and the metal part of socket when the AUD15 is removed)	50 MΩ min by 500 V DC megger (between each of terminals F and G and the metal part of socket when the AUD15 is removed)
Dielectric strength	1500 V AC for 1 min or 1800 V AC for 1 s (between each lead wire and the metal part of socket when the AUD15 is removed)	1500 V AC for 1 min or 1800 V AC for 1 s (between each of terminals F and G and the metal part of socket when the AUD15 is removed)
Ambient temperature	-20 to +120 °C	
Ambient storage temperature	-20 to +70 °C	
Ambient humidity	90 % RH at 40 °C (without condensation)	
Allowable pressure	35 kPa	
Vibration resistance	5 m/s <sup>2</sup> max. (10 to 60 Hz for 2 hours each in X, Y and Z directions)	
Protection	IP65 (JIS C 0920/IEC 60529) with pipes and wires connected	
Mounting nut	G1 (R1 and 1-11BSP are connectable)	
Lead wires	AWG #18 (approx. 1.2 mm <sup>2</sup> ) flame retardant cross-linked polyethylene insulated cable. approx. 1800 mm long (blue and white) (only AUD100)	
Conduit	G1/2 (1/2-14BSPP is connectable)	
Flame signal wire	Standard: 2.0 mm <sup>2</sup> , 600 V AC cable with PVC insulation ("IV cable"). Max. length: approx. 200 m	
Certification	CE and UL certification Check the specifications of the burner controller that is used with this product.	

\*1. For applications using coke oven gas, hydrogen, chlorine, ammonia, naphtha, ethylene, etc., in which the burner structure may impose restrictions on the mounting of the flame detector, it is necessary to check that flame monitoring is reliable.

## Model No.

Model No.	Description
AUD100C100_	Advanced Ultraviolet Flame Detector Lead-wire model without the AUD15
AUD100C1000-A15	Advanced Ultraviolet Flame Detector Lead-wire model with the AUD15
AUD110C100_	Advanced Ultraviolet Flame Detector Terminal block model without the AUD15
AUD110C1000-A15	Advanced Ultraviolet Flame Detector Terminal block model with the AUD15

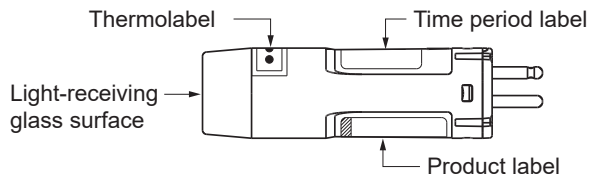
Replace the blank ( ) in the model number with one of the for choices below.

- 0: Standard
- D: Inspection certificate
- T: Tropicalization treatment (only AUD110 Series)
- B: Inspection certificate + Tropicalization treatment (only AUD110 Series)

## Maintenance/optional parts

Model No.	Description
AUD15C1000	Tube Unit (Ultraviolet photoelectric tube) *1
81403159	Seal adapter *2
FSP100R15000	G1/2 Adapter
FSP300BC100	Flame simulator
FSP100LT000D	Lens unit: distance lens
FSP100LW000D	Lens unit: wide-angle lens

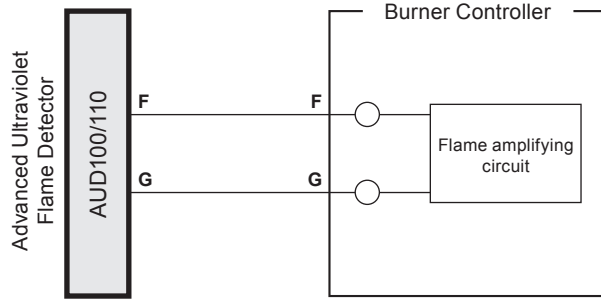
\*1. AUD15C1000



\*2. Seal adapter (model No. 81403159)

Refer to the next page

## Wiring



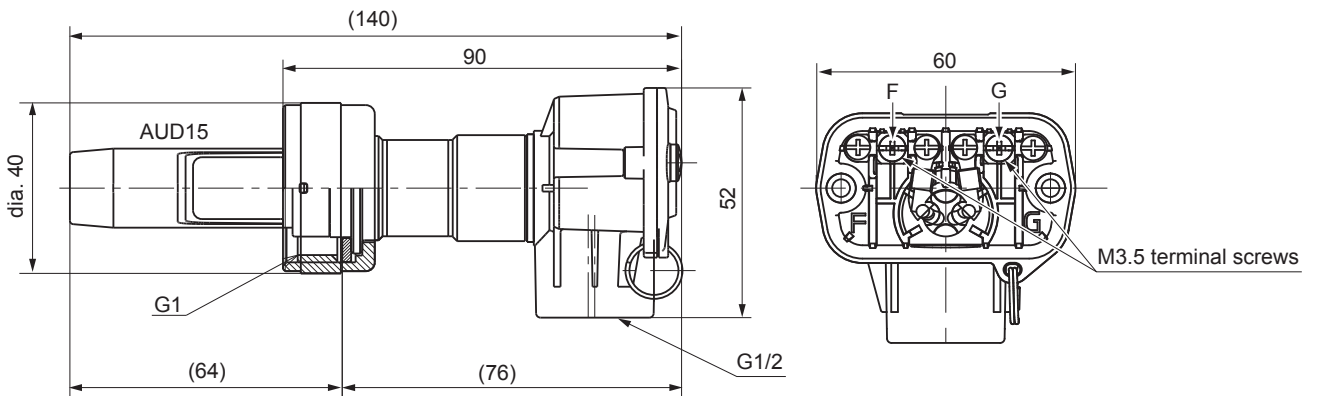
### ! Handling Precautions

- The flame detector has polarity. Correctly connect the wiring to the terminals indicated on the device (F and G). For the AUD100C, the attached blue cable is for terminal F, and the white cable is for terminal G.

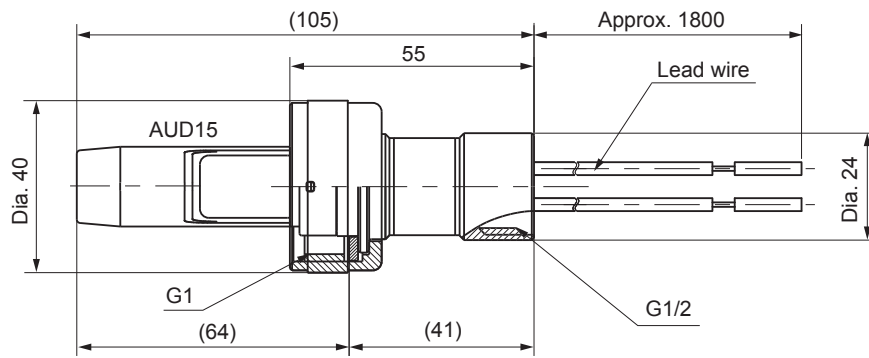
## Dimensions

Unit: mm

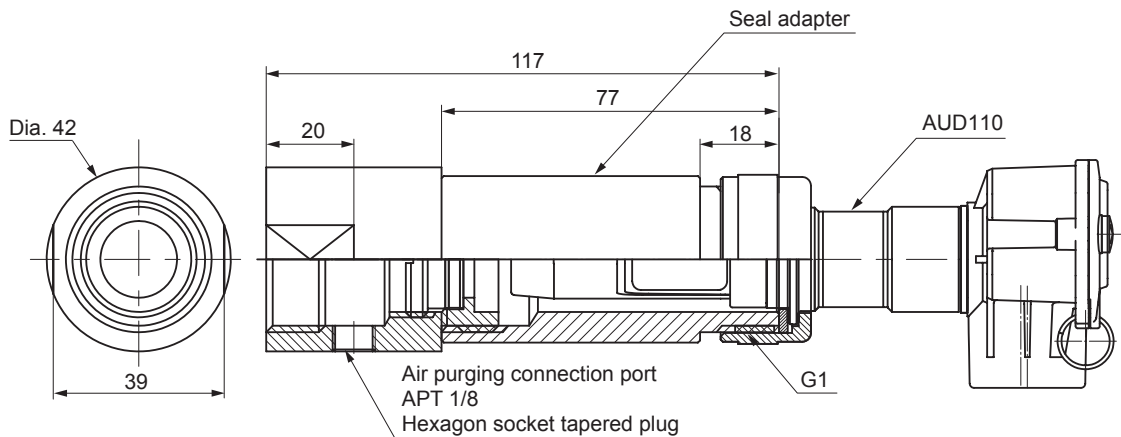
### • AUD110C100\_ with the AUD15



### • AUD100C100\_ with the AUD15



### • Seal adapter (model No.: 81403159)



## Cautions

- The AUD100 Series Advanced Ultraviolet Flame Detector has an important role for safety in monitoring the burner flame. Please observe the procedures for safe usage stated in the user's manual.
- Do not mount the flame detector in the following locations:
  - Locations near certain chemicals or their fumes, such as ammonia, sulfur, chlorine, ethylene compounds, acid, or any other corrosive gases.
  - Locations subject to continuous vibration.
- When used in atmospheres where a UV ray source exists other than the flame, take countermeasures so that no UV ray other than that of the burner is detected.
- Before wiring, be sure to turn the power off. Touching terminals by mistake while the power is on might result in electric shock or malfunction.
- The flame sensor has polarity. Correctly connect the wiring to the terminals indicated on the device (F and G). The attached blue cable is for terminal F, and white cable is for terminal G.
- Use a dedicated packing case when transporting or storing this detector.
- Do not put the flame sensor signal wires in the same cable with other signal wires or power wires.
- Make sure that the ignition transformer high-voltage cables are properly connected in order to prevent faulty contact. If there is poor contact, radio frequency waves may be generated and this could cause radio interference. Install the ignition transformer directly onto a metal portion electrically connected to the burner.
- The sensor in the tube unit is housed in a glass tube. Do not subject it to vibration or shock. In particular, when transporting combustion equipment, be sure to pack the flame detector in a dedicated packing case.

Please read "Terms and Conditions" from the following URL before ordering and use.  
<https://www.azbil.com/products/factory/order.html>

*Specifications are subject to change without notice.*



**Azbil Corporation**  
Advanced Automation Company

1-12-2 Kawana, Fujisawa  
Kanagawa 251-8522 Japan  
URL: <https://www.azbil.com/>

1st edition: Nov. 2010  
8th edition: Feb. 2019

*No part of this publication may be reproduced or duplicated without the prior written permission of Azbil Corporation.*