

Gas Pressure Switches Model-E



DMG:
D = Direct
M = Mounting with O-Ring
G = Gas



FCG:
F = Flange
C = Center Mounting
G = Gas

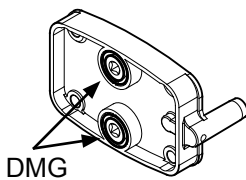
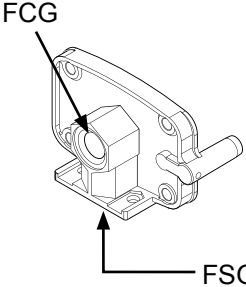
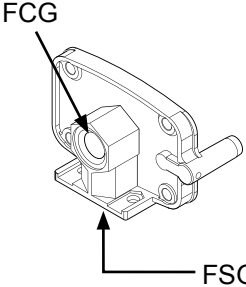
FSG:
F = Flange
S = Side Mounting
G = Gas

Antunes Controls' new line of Half-Size Gas Pressure Switches monitor gas pressure and makes or breaks the electrical control circuit when pressure drops below or rises above the desired set point. The gas pressure settings are easy to read and adjust. All models are available in automatic reset operation only. The switches are sturdy and constructed with a durable plastic electrical enclosure and a die-cast aluminum inlet base.

Features:

- Compact Design
- Accurate
- Removable transparent adjustment knob cover
- Adjustable Setpoints
- Automatic Reset
- Diaphragm actuated safety limit switch
- Ventless
- Directly mountable to integrated gas valve trains.
- Cost Effective Pricing

Technical Data:

Casting Type	Version	Antunes Order No.	Range	Switch Differential	
Direct mount with O-rings	DMG 003	8161001003	0.7 - 3.0 mbar	≤ 0.7	 <p>DMG</p>
	DMG 010	8161002010	2.0 - 10.0 mbar	≤ 1.0	
	DMG 050	8161003050	5.0 - 50.0 mbar	≤ 2.5	
	DMG 150	8161004150	10.0 - 150.0 mbar	≤ 5.0	
	DMG 500	8161005500	100.0 - 500.0 mbar	≤ 15.0	
Center Mount	FCG 010	8171007010	2.0 - 10.0 mbar	≤ 1.0	 <p>FCG</p>
	FCG 050	8171008050	5.0 - 50.0 mbar	≤ 2.5	
	FCG 150	8171009150	10.0 - 150.0 mbar	≤ 5.0	
	FCG 500	8171010500	100.0 - 500.0 mbar	≤ 15.0	
Side Mount	FSG 010	8181012010	2.0 - 10.0 mbar	≤ 1.0	 <p>FSG</p>
	FSG 050	8181013050	5.0 - 50.0 mbar	≤ 2.5	
	FSG 150	8181014150	10.0 - 150.0 mbar	≤ 5.0	
	FSG 500	8181015500	100.0 - 500.0 mbar	≤ 15.0	

Specifications:

Operation: Automatic Reset

Maximum Operating Pressure: 690 mbar (69 kPa)

Surge Pressure: 1 bar

Temperature:

Ambient: -15° C to +60° C

Medium: -15° C to +60° C

Storage: -30° C to +80° C

Electrical Ratings: 6A @ 250 VAC

Protection: IP 54 approved to IEC 529

Electrical Connection: 3 Pin connector for line sockets as per DIN - EN 175 301 - 803 (without ground protection).

Base Type:

<p>DMG: D = Direct M = Mounting with O-Ring G = Gas</p>	<p>FCG: F = Flange C = Center Mounting G = Gas</p>	<p>FSG: F = Flange S = Side Mounting G = Gas</p>
--	---	---

Connection:

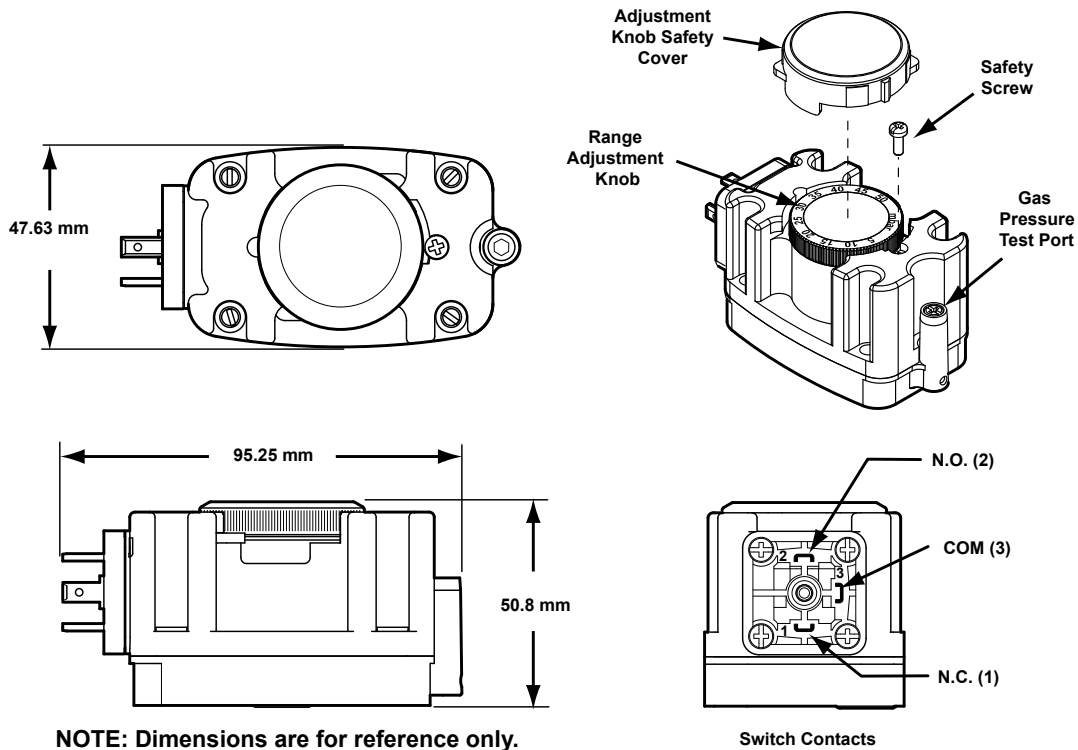
FCG: 1/4-19 BSP Thread

FSG: 1/4-19 BSP Thread

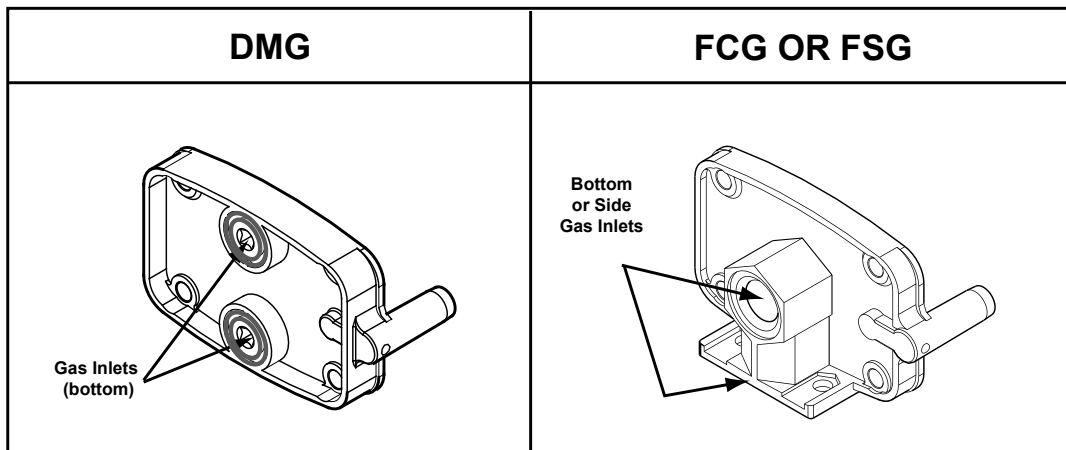
Shipping Weight: 0.25 lbs.

Options: Contact Antunes Controls

Dimensions and Features



BASE



Maintenance:

No specific maintenance is required. However, it is recommended that all wiring be inspected for loose connections and damaged wires. Disconnect power to the panel before performing any maintenance. Replace any damaged wires and tighten all connections.

Mounting:

All switches can be mounted in either horizontal or vertical position. Switches should be reasonably level but do not require accurate leveling.

Limitation of Liability. If it is understood and agreed that seller's liability whether in contract, in tort, under any warranty, in negligence or otherwise, shall not exceed the return of the amount of the purchase price paid by purchaser and under no circumstances shall seller be liable for special, indirect or consequential damages. The price stated for the equipment is a consideration in limiting seller's liability. No action, regardless of form, arising out of the transactions may be brought by purchaser more than one year after the cause of action has accrued.



A.J. Antunes & Co.
Headquarters/Manufacturing
180 Kehoe Boulevard
Carol Stream, Illinois 60188 USA
Phone (630) 784-1000
Toll Free (800) 253-2991
Fax: (630) 784-1650

Antunes Equipment
Manufacturing (Suzhou) Ltd.,
9 Hou Ju Road, Building #24,
S&T Park, SND
Suzhou, Jiangsu, China 215011
Phone: 86-512-6841-3637
Fax: 86-512-6841-3907

www.ajantunes.com